



VOL : VOLUMETRIC LED TROFFER

DESCRIPTION

- Cost-effective architectural recessed LED luminaire
- Direct/indirect illumination provides visual comfort with minimal glare
- Clean line styling complements today's modern office decor
- One for one alternative LED solution to fluorescent troffers
- Up to 50% energy savings over fluorescent troffers
- 0-10V dimmable standard
- 125-130 lumens per watt
- Available in 2'x2' and 2'x4'

LISTINGS

- UL Listed for dry/damp locations
- IC Rated for insulation contact
- DesignLights Consortium® Premium Qualified - meets the requirements for the highest DLC qualification for efficacy and lumen maintenance

LED CHARACTERISTICS

- Rated lifetime L70: 50,000 hours
- 3500K, 4000K, 5000K CCT
- CRI: 80+
- 2'x2': 3200lm (approx.) @ 26W
- 2'x2' (CP): 3250lm (approx.) @26W
- 2'x4': 5900lm (approx.) @ 48W
- 2'x4' (CP): 5796lm (approx.) @ 46W

ELECTRICAL

- Input voltage: 120-277V
- Dimmable power supply (0-10V)
- Power Factor: >.90
- THD: <15%

CONSTRUCTION

- Single lens center basket with swept white sidewall reflector
- Features integral earthquake clips
- -4°F to 104°F (-20°C to 40°C) operating temperature

WARRANTY

- 5 year limited warranty; see eiko.com for warranty details

project name	type
catalog number	
comments	voltage
approved by	date



2x2



2x4

APPLICATIONS

- Conference rooms
- Retail
- Offices
- Hospitality
- Healthcare
- Schools
- Reception areas
- Corridors
- Foyer



ORDERING INFORMATION

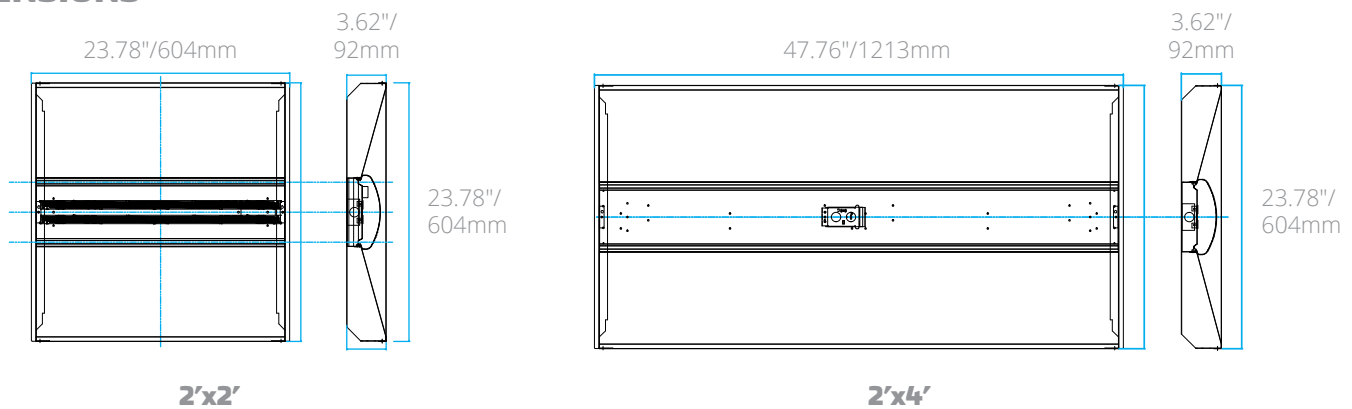
EXAMPLE: VOL22-3C-35K-U

Model	Size	Package	CCT	Voltage
VOL : Volumetric LED Troffer	22 - 2'x2' 24 - 2'x4'	3C - 26W; 3,100/3,275 lm 3CP - 26W; 3,250 lm 5C - 48W; 5,620/5,970/6,115 lm 5CP - 46W; 5,796 lm	35K - 3500K 40K - 4000K 50K - 5000K	U - 120-277V

PERFORMANCE SUMMARY

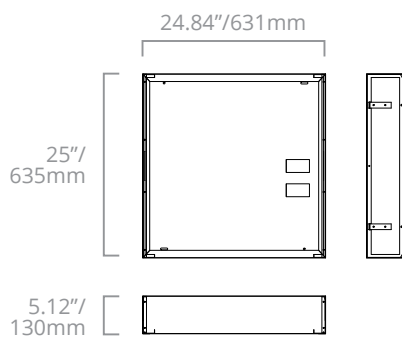
Order Code	Item #	Watts	Lumens	LPW	CCT	CRI	Volts	Fluor. Equiv.	DLC Premium
09469	VOL22-3C-35K-U	26W	3,110	120	3500K	80+	120-277V	3x 17WT8, 2U31T8	✓
09470	VOL22-3C-40K-U	26W	3,275	126	4000K	80+	120-277V	3x 17WT8, 2U31T8	✓
09491	VOL22-3C-50K-U	26W	3,275	126	5000K	80+	120-277V	3x 17WT8, 2U31T8	✓
09471	VOL24-5C-35K-U	48W	5,620	117	3500K	80+	120-277V	2x 32T8, 3x 32T8	✓
09472	VOL24-5C-40K-U	48W	5,970	124	4000K	80+	120-277V	2x 32T8, 3x 32T8	✓
09492	VOL24-5C-50K-U	48W	6,115	127	5000K	80+	120-277V	2x 32T8, 3x 32T8	✓
09706	VOL22-3CP-35K-U	26W	3,250	125	3500K	80+	120-277V	3x 17WT8, 2U31T8	✓
09707	VOL22-3CP-40K-U	26W	3,250	125	4000K	80+	120-277V	3x 17WT8, 2U31T8	✓
09708	VOL22-3CP-50K-U	26W	3,250	125	5000K	80+	120-277V	3x 17WT8, 2U31T8	✓
09709	VOL24-5CP-35K-U	46W	5,796	126	3500K	80+	120-277V	2x 32T8, 3x 32T8	✓
09710	VOL24-5CP-40K-U	46W	5,796	126	4000K	80+	120-277V	2x 32T8, 3x 32T8	✓
09711	VOL24-5CP-50K-U	46W	5,796	126	5000K	80+	120-277V	2x 32T8, 3x 32T8	✓

DIMENSIONS

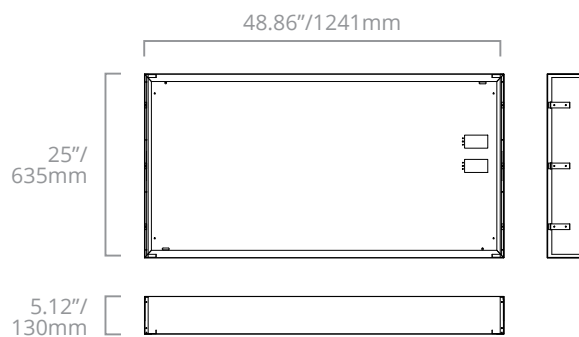


AVAILABLE ACCESSORIES

Order Code	Item #	Description
09849	FHSCP-UNV-5WL	5W Emergency Battery Backup
09851	FHSCP-UNV-7.8WL	7.8W Emergency Battery Backup
09850	FHSCP-UNV-10.7WL	10.7W Emergency Battery Backup
09852	FHSCP-UNV-13.7WL	13.7W Emergency Battery Backup
09854	FHSCP-UNV-17WL	17W Emergency Battery Backup
09898	VOL22-SMK-W	2x2 Surface Mount Kit, White
09899	VOL24-SMK-W	2x4 Surface Mount Kit, White



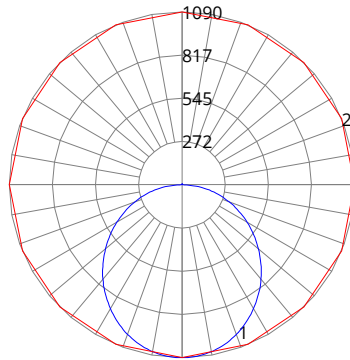
VOL22-SMK-W



VOL24-SMK-W

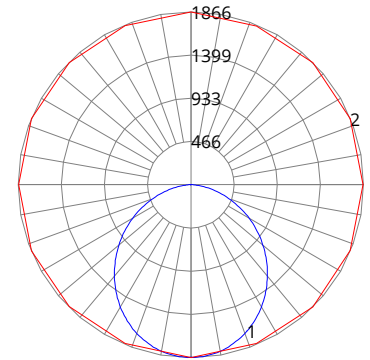
VOL22-3C-xxK-U

ZONAL LUMEN SUMMARY		
Zone	Lumens	%Fixture
0-30	837.79	26.80
0-40	1364.83	43.60
0-60	2403.26	76.70
0-90	3125.3	99.80
0-180	3131.47	100.0
SPACING CRITERIA		
0-180	1.2	
90-270	1.2	
Diagonal	1.4	



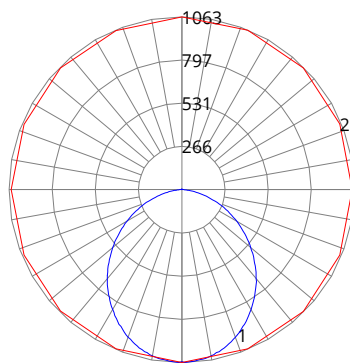
VOL24-5C-xxK-U

ZONAL LUMEN SUMMARY		
Zone	Lumens	%Fixture
0-30	1439.98	25.80
0-40	2356.38	42.20
0-60	4201.1	75.30
0-90	5572.95	99.80
0-180	5582.62	100.0
SPACING CRITERIA		
0-180	1.2	
90-270	1.2	
Diagonal	1.4	



VOL22-3CP-35K-U

ZONAL LUMEN SUMMARY		
Zone	Lumens	%Fixture
0-30	816.07	26.10
0-40	1333.72	42.60
0-60	2366.96	75.60
0-90	3124.89	99.80
0-180	3130.89	100.0
SPACING CRITERIA		
0-180	1.2	
90-270	1.2	
Diagonal	1.4	



VOL24-5CP-xxK-U

ZONAL LUMEN SUMMARY		
Zone	Lumens	%Fixture
0-30	1472.67	12.0
0-40	2413.02	41.8
0-60	4308.98	74.7
0-90	5759.47	99.8
0-180	5770.06	100.0
SPACING CRITERIA		
0-180	1.2	
90-270	1.2	
Diagonal	1.4	

